

## electric contacts for diaphragm pressure gauges



PED 2014/68/EU

Are accessories with movable contacts in air, which open or close electric circuits depending of the position of the indicating pointer. They are used with Bourdon tube pressure gauges, bellows, diaphragm of NUOVA FIMA production, in such way they become pressure switches: the optimal and sure solution to automatize any kind of equipment.

**Contacts:** sliding, magnetic snap action. Functional and constructive characteristics, wiring and electric schemas are shown on the attached data-sheet: "ELECTRIC CONTACT".

**Accuracy:** when the indicating pointer is affected by the contact link add to the gauge accuracy the 50% of their accuracy (with the exclusion of the working area within the 5% if the contact is magnetic type).

**Contact setting:** over an arc of 270 °, trough the knob placed on front lens or trough removable key.

**Electrical wiring:** junction box PG9 as per DIN 43650 or cable 0,5 mt.

**Ambient temperature:** -25...+65 °C.

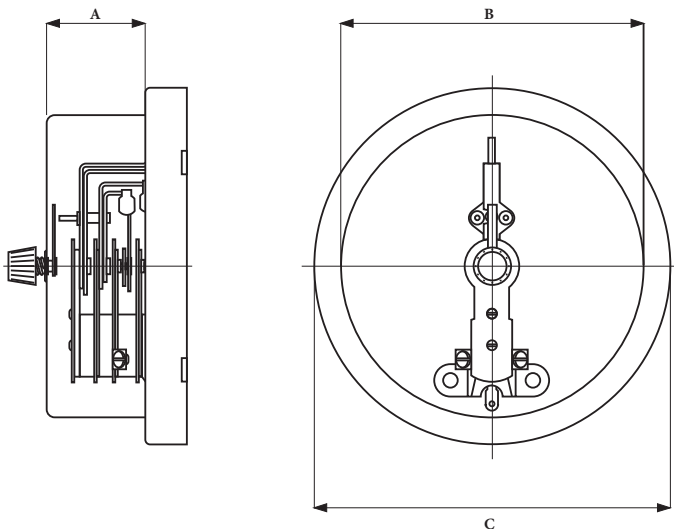
**Protection:** IP 44 as per IEC 529, (option IP 55).

**Contact material:** Silver-Nickel 80%-20% (options Gold-Silver and Platinum-Iridium).

**Window:** Makrolon.

**Overpressure:** non suitable.

### DIMENSIONS (mm)



### Single contact

DS	A	B	C
100	29	95	110,6
150	29	141	161

### Double contacts

DS	A	B	C
100	36	95	110,6
150	36	141	161

MODEL	MN12/18 DS 4" - 6" (100-150 mm)		
Contact type	Sliding and magnetic snap-action contact		
Contact number	1	2	2 independent
Junction box ø exit cables: inches (mm)	3 poles + GND 0,23...0,35 (6...9)	3 poles + GND 0,23...0,35 (6...9)	
Back cable exit ø cable: inches (mm)			4 poles + 1 0,27 (7)

MODEL	MD13 DS 6" (150 mm)		
Contact type	Sliding and magnetic snap-action contact		
Contact number	1	2	2 independent
Radial junction box ø exit cables: inches (mm)	3 poles + GND 0,23...0,35 (6...9)	3 poles + GND 0,23...0,35 (6...9)	
Radial cable exit ø cable: inches (mm)			4 poles + 1 0,27 (7)
Back cable exit ø cable: inches (mm)	2 poles + GND (1) 0,19 (4,8)	3 poles + GND (1) 0,23 (6)	4 poles + 1 0,27 (7)

(1) for front flange mounting (cod. **E**)

MODEL	MD15-16-17 DS 4" (100 mm)			MD15-16-17 DS 6" (150 mm)		
Contact type	Sliding and magnetic snap-action contact			Sliding and magnetic snap-action contact		
Contact number	1	2	2 independent	1	2	2 independent
Radial junction box ø exit cables: inches (mm)	3 poles + GND 0,23...0,35 (6...9)	3 poles + GND 0,23...0,35 (6...9)		3 poles + GND 0,23...0,35 (6...9)	3 poles + GND 0,23...0,35 (6...9)	
Radial cable exit ø cable: inches (mm)			4 poles + 1 0,27 (7)			4 poles + 1 0,27 (7)
Back cable exit ø cable: inches (mm)	2 poles + GND (1) 0,19 (4,8)	3 poles + GND (1) 0,23 (6)	4 poles + 1 (1) 0,27 (7)	2 poles + GND (2) 0,19 (4,8)	3 poles + GND (2) 0,23 (6)	4 poles + 1 (2) 0,27 (7)

(1) for front flange mounting (cod. **F**)

(2) for front flange mounting (cod. **E**)

MODEL	MD14 DS 4" (100 mm)			MD14 DS 6" (150 mm)		
Contact type	Sliding and magnetic snap-action contact			Sliding and magnetic snap-action contact		
Contact number	1	2	2 independent	1	2	2 independent
Radial junction box ø exit cables: inches (mm)	3 poles + GND 0,23...0,35 (6...9)	3 poles + GND 0,23...0,35 (6...9)		3 poles + GND 0,23...0,35 (6...9)	3 poles + GND 0,23...0,35 (6...9)	
Radial cable exit ø cable: inches (mm)			4 poles + 1 0,27 (7)			4 poles + 1 0,27 (7)
Back cable exit ø cable: inches (mm)	2 poles + GND (1) 0,19 (4,8)	3 poles + GND (1) 0,23 (6)	4 poles + 1 (1) 0,27 (7)	2 poles + GND (2) 0,19 (4,8)	3 poles + GND (2) 0,23 (6)	4 poles + 1 (2) 0,27 (7)

(1) for front flange mounting (cod. **F**)

(2) for front flange mounting (cod. **E**)

